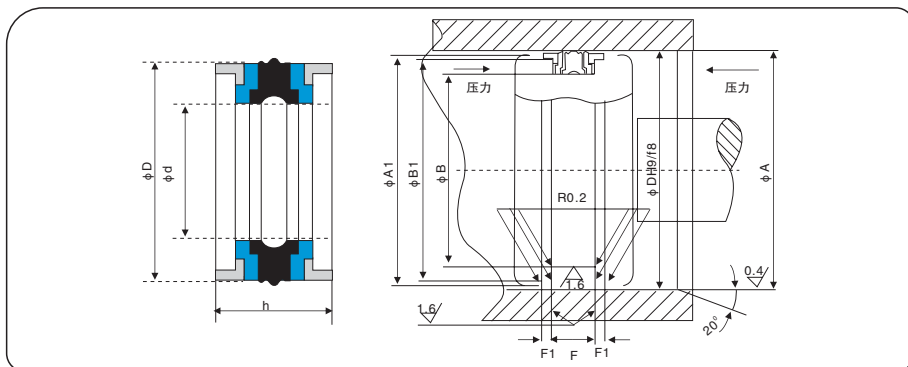


DAM型

活塞专用组合密封件



- 1、特点：
滑动材料选用尼龙，适用高压快速工况。
- 2、应用范围
挖掘机、推土机、平路机、装载机、运输车、铲车
冲压机、切割机、折弯机、注塑机、液压设备等
- 3、使用工况：往复运动
- 4、材料：聚甲醛+聚氨酯+NBR
- 5、应用极限
最大压力：40 MPa
最大速度：0.5 m/s
温度范围：-40 ~ 100℃

DAM型 活塞专用组合密封件

名义号	密封件公称尺寸			腔体尺寸		
	A	B	B1	F	F1	A1
DAM25-15-20	25	15	21.0	12.0	4.00	23.0
DAM25-16-17.7	25	16	22.0	13.5	2.10	24.0
DAM28-19-17.7	28	19	25.0	13.5	2.10	27.0
DAM30-21-17.7	30	21	27.0	13.5	2.10	29.0
DAM32-22-20.7	32	22	28.0	15.5	2.60	31.0
DAM32-22-29.1	32	22	28.5	16.4	6.35	30.5
DAM35-25-20.7	35	25	31.0	15.5	2.60	34.0
DAM35-25-29.1	35	25	31.4	16.4	6.35	33.5
DAM40-24-31.1	40	24	35.4	18.4	6.35	38.5
DAM40-26-20.7	40	26	36.0	15.5	2.60	39.0
DAM40-30-29.1	40	30	35.4	16.4	6.35	38.5
DAM40-30-20.5	40	30	36.0	12.5	4.00	38.0
DAM40-30-20.5	40	30	37.0	12.5	4.00	39.0
DAM42-28-20.7	42	28	38.0	15.5	2.60	41.0
DAM45-29-31.1	45	29	40.4	18.4	6.35	44.0
DAM45-31-20.7	45	31	41.0	15.5	2.60	44.0
DAM45-35-29.1	45	35	40.4	16.4	6.35	43.5
DAM50-34-31.1	50	34	45.4	18.4	6.35	48.5
DAM50-34-26.7	50	34	46.0	20.5	3.10	49.0
DAM50-38-28.9	50	38	46.0	20.5	4.20	48.5
DAM55-39-31.1	55	39	50.36	18.4	6.35	53.5
DAM55-39-26.7	55	39	51.0	20.5	3.10	54.0
DAM56-40-26.7	56	40	52.0	20.5	3.10	55.0
DAM60-44-31.1	60	44	55.4	18.4	6.35	58.5
DAM60-44-26.7	60	44	56.0	20.5	3.10	59.0
DAM60-48-28.9	60	48	56.0	20.5	4.20	58.5
DAM63-47-31.1	63	47	58.4	18.4	6.35	61.5
DAM63-47-32.1	63	47	58.4	19.4	6.35	61.5
DAM63-47-26.7	63	47	59.0	20.5	3.10	62.0
DAM65-51-28.9	65	51	59.0	20.5	4.20	61.5
DAM65-49-26.7	65	49	61.0	20.5	3.10	64.0
DAM65-50-31.1	65	50	60.4	18.4	6.35	63.5
DAM70-50-35.1	70	50	64.2	22.4	6.35	68.3
DAM70-54-26.7	70	54	66.0	20.5	3.10	69.0
DAM70-58-28.9	70	58	66.0	20.5	4.20	68.5
DAM75-55-35.1	75	55	69.2	22.4	6.35	73.3
DAM80-60-35.1	80	60	74.15	22.4	6.35	78.3
DAM80-62-29.7	80	62	76.0	22.5	3.60	79.0
DAM80-66-32.9	80	66	76.0	22.5	5.20	78.5
DAM85-65-35.1	85	65	79.15	22.4	6.35	83.3
DAM90-70-35.1	90	70	84.15	22.4	6.35	88.3
DAM90-72-29.7	90	72	86.0	22.5	3.60	89.0
DAM90-76-32.9	90	76	86.0	22.5	5.20	88.5
DAM95-75-35.1	95	75	89.15	22.4	6.35	93.3
DAM100-75-35.1	100	75	93.15	22.4	6.35	98.0
DAM100-82-29.7	100	82	96.0	22.5	3.60	99.0
DAM100-86-32.9	100	86	96.0	22.5	5.20	98.5
DAM105-80-35.4	105	80	98.1	22.4	6.5	103.0

DAM型

活塞专用组合密封件

活塞专用密封件

名义号	密封件公称尺寸			腔体尺寸		
	A	B	B1	F	F1	A1
DAM110-85-35.1	110	85	103.1	22.4	6.35	108.0
DAM110-92-29.7	110	92	106.0	22.5	3.6	109.0
DAM110-96-32.9	110	96	106.0	22.5	5.2	109.4
DAM115-90-35.1	115	90	108.1	22.4	6.35	113.0
DAM115-97-29.7	115	97	111.0	22.5	3.6	114.0
DAM120-95-35.1	120	95	113.1	22.4	6.35	118.0
DAM120-106-32.9	120	106	116.0	22.5	5.2	118.5
DAM125-100-38.1	125	100	118.1	25.4	6.35	123.0
DAM125-103-36.9	125	103	121.0	26.5	5.2	124.0
DAM125-108-40.9	125	108	121.0	26.5	7.2	124.4
DAM130-105-44.4	130	105	122.6	25.4	9.5	127.5
DAM130-105-38.1	130	105	123.1	25.4	6.35	128.0
DAM135-110-44.4	135	110	127.6	25.4	9.5	132.5
DAM135-110-38.1	135	110	128.1	25.4	6.35	133.0
DAM140-115-44.4	140	115	132.6	25.4	9.5	137.5
DAM140-115-38.1	140	115	133.0	25.4	6.35	138.0
DAM140-118-36.7	140	118	136.0	26.5	5.1	139.0
DAM140-123-40.9	140	123	136.0	26.5	7.2	138.5
DAM145-120-44.4	145	120	137.6	25.4	9.5	142.5
DAM145-120-38.1	145	120	138.3	25.4	6.35	142.95
DAM150-125-44.4	150	125	142.6	25.4	9.5	147.5
DAM150-125-38.1	150	125	143.0	25.4	6.35	148.0
DAM150-128-36.7	150	128	146.0	26.5	5.1	149.0
DAM150-133-40.9	150	133	146.0	26.5	7.2	149.5
DAM155-130-44.4	155	130	147.6	25.4	9.5	152.5
DAM160-135-44.4	160	135	152.6	25.4	9.5	157.5
DAM160-138-36.7	160	138	156.0	26.5	5.1	159.0
DAM160-143-40.9	160	143	156.0	26.5	7.2	159.4
DAM165-140-44.4	165	140	157.6	25.4	9.5	162.5
DAM170-145-50.8	170	145	161.7	25.4	12.7	167.1
DAM175-150-50.8	175	150	166.7	25.4	12.7	172.1
DAM180-150-48.1	180	150	172.95	35.4	6.35	177.87
DAM180-155-50.8	180	155	171.7	25.4	12.7	177.1
DAM185-160-50.8	185	160	176.7	25.4	12.7	182.1
DAM190-165-50.8	190	165	181.7	25.4	12.7	187.0
DAM195-170-50.8	195	170	186.7	25.4	12.7	192.0
DAM200-175-50.8	200	175	191.6	25.4	12.7	197.0
DAM210-185-50.8	210	185	201.6	25.4	12.7	207.0
DAM220-190-48.1	220	190	212.7	35.4	6.35	217.0
DAM220-195-50.8	220	195	211.6	25.4	12.7	217.0
DAM230-205-50.8	230	205	221.6	25.4	12.7	227.0
DAM240-215-50.8	240	215	231.6	25.4	12.7	237.0
DAM250-220-48.1	250	220	242.9	35.4	6.35	247.85
DAM250-225-50.8	250	225	241.6	25.4	12.7	247.0
DAM250-230-49.9	250	230	246.0	31.5	9.20	249.4
DAM280-250-54.44	280	250	272.9	35.4	9.52	277.9
DAM280-250-56.4	280	250	273.0	36.4	10.00	248.0